

SCHREIBER
SINCE 1815



**MARQUEES
MANUFACTURER**

Selling stand

Dimension:

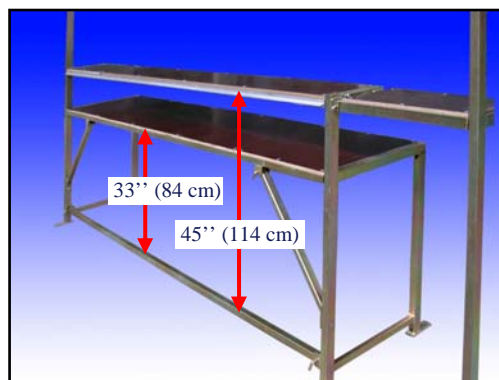
- Width: 10' or 13' (3 or 4 m).
- Facing sides height: 7.25' (2,20 m).
- Length: up to 40' (12 m).
- Bay size: 10' or 13' m (3 or 4 m).

Composition:

- Galvanised steel frame 1' ½x1' ½. (40x40 mm)
- 23 oz (650gr/sqm) canvas.
- Fireproofing according to European Standards (BS EN 13782, NF P 92-503 – 507 M2 and DIN 4102 B1).
- Anti water pockets roof bars.
- Ground bars all around.
- Ground stakes for anchoring at each corner.
- Canvas covering is supplied in very sturdy bags.
- Front awning of 3.3 ft (1 m) width.

Option: double counter

- One lower board of 24" (60 cm) width and one higher board of 12" (30 cm) width.
- With a folding door allowing an easy passage.



Canvas covering:

- Roof and facing side canvas in one piece. (no tight problems)
- Facing sides can be raised and rolled.
- Reinforcements under all top tubes and in the corners.
- Ropes at each foot to attach the stall.

Colours:

- One colour (light blue, dark blue, light green, dark green, red, orange, white, brown, yellow, grey, black, cream, champagne).
- Possibility to get striped facing sides.

Eco stand

Dimensions:

- 10'x10' (3x3 m) or 13'x10' (4x3 m), height facing sides: 7.25' (2,20 m).

Composition:

- Galvanised steel frame 1' ½x1' ½ (40x40 mm).
- 23 oz (650gr/sqm) canvas – fireproof M2.
- Anti water pockets roof bars.
- Ground bars.
- Straps and elastics to tender the covering.
- Anchoring stakes.

